

Swing Gate Operators

Models GDS 4 LV, GDS 4, GDS 6 LV, GDS 6, GDS 7, GDS 8, GDS 10

GDS - Your Automatic Choice

GENERAL INFORMATION

- All swing gate operators utilise two industrial grade cast iron gear boxes with a unique torque control and easy disconnect facility should the mains fail.
- Controls mounted in IP65 Stainless Steel enclosure with a powerful microprocessor control board to provide various features required with the operator.
- Smooth, fully adjustable ramp up, ramp down, opening and closing speed for the ultimate in a gate drive operating control system.

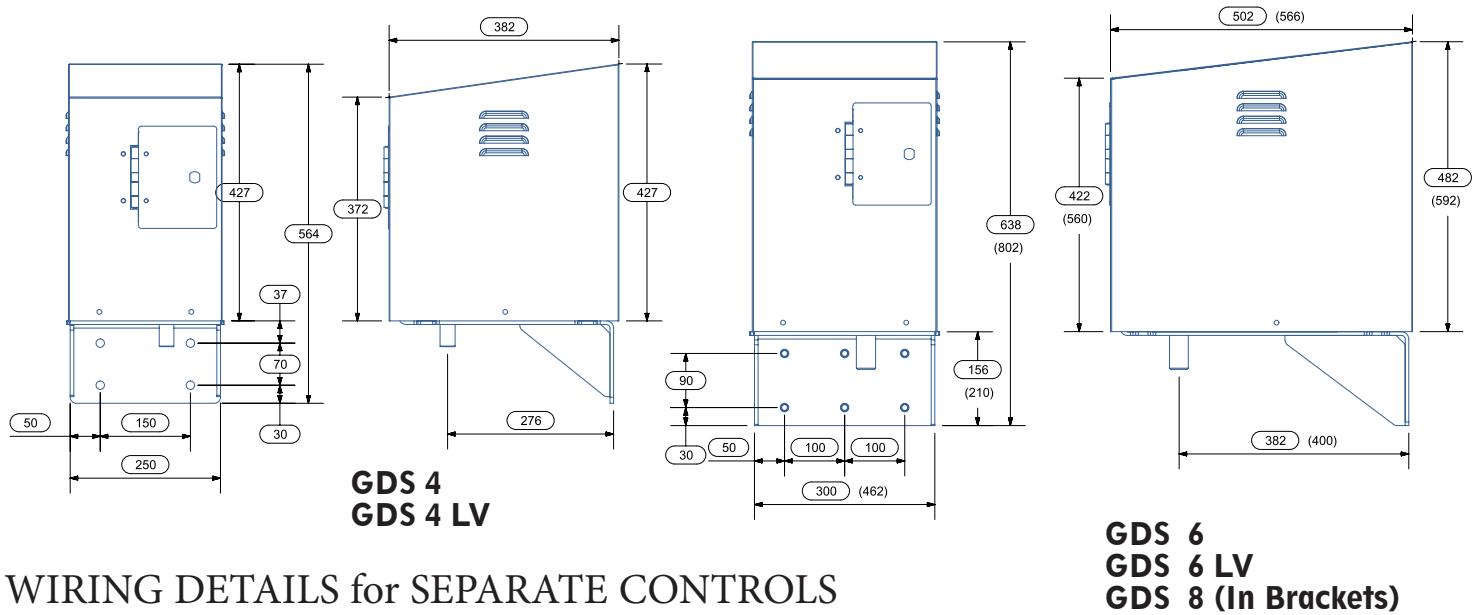
TECHNICAL DETAILS

MODEL	GDS 4 LV	GDS 4	GDS 6 LV	GDS 6	GDS 7	GDS 8	GDS 10
Motor Power	24v 120w	180w	24v 250w	370w	370w	750w	1.5Kw
Gate Size (approx)	4m leaf	4m leaf	6m leaf	6m leaf	7m leaf	8m leaf	10m leaf
Input Power	240v or 24v	240v 10A	240v or 24v	240v 10A	240v 10A	240v 10A	240v 10A

Other Details

- Cast iron gearboxes.
- Lazer cut 6mm zinc plated or Hot Dip Galvanised steel chassis (except GDS 8 and GDS 10 which have a 12mm zinc plated chassis).
- Easy set limit switches.
- All electronic controls and inverter in IP65 Stainless Steel control box.
- Tubular arms, easy disconnect method.

SPECIFICATIONS



WIRING DETAILS for SEPARATE CONTROLS

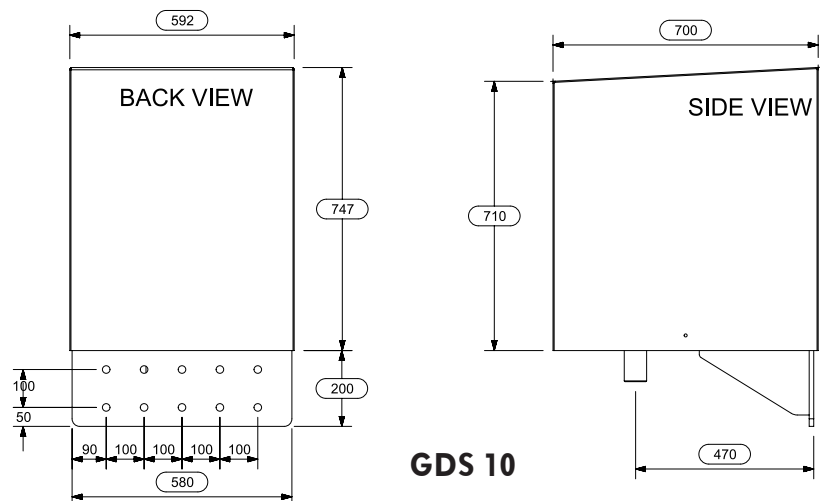
Input Power -240v AC 10A supply for all models (24v unit can have separate transformer)

Control Box to Drive Unit

- 3 phase + earth 1.5mm² screened cable
- 1-4 core screened low voltage cable for limits

NOTE: The above specifications and in particular the suggested gate sizes can vary depending upon other variables such as friction of hinges, environmental factors, type of cladding and external influences which may assist or degrade the recommended gate sizes.

All automation applications require external photo electric cell protection/induction loop and appropriate warning signs and/or devices.



Manufactured by:



gate drive systems australia
GDS - Your Automatic Choice