



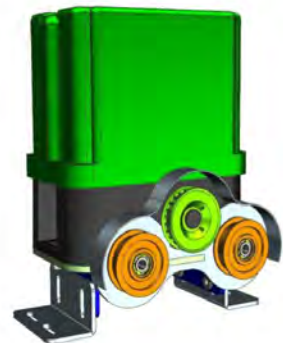
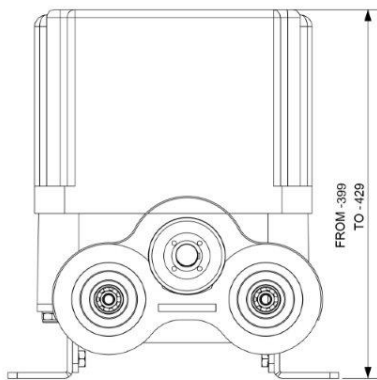
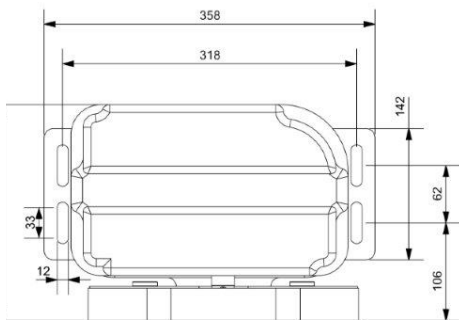
SPECIFICATIONS

Model	GDS Drive 500 Belt
Motor Power	60W 12V DC
Gate Size	6m leaf at 300Kg
Input Power	240V AC or low voltage, including solar
Duty Cycle	80%
Speed	300mm/sec Standard

GENERAL INFORMATION

12V DC powerful motor suited for intensive applications. Oil filled gearbox.
 Simple controls with 'one push button' profile and set up. 300mm/sec with slow down in open and close positions, using magnetic limits for stop locations.
Includes battery back up.

Belt sold separately; quantity required depends on the length of the gate. Please order separately.



All automation applications require external photo electric cell protection/induction loop and appropriate warning signs and/or devices.

GDS Drive 500 Belt