

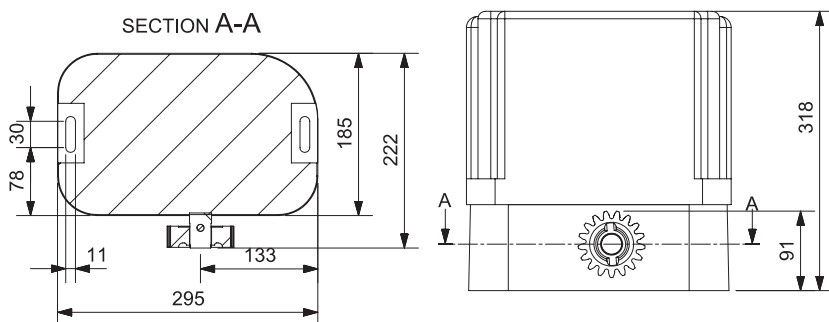


SPECIFICATIONS

Model	GDS Drive 500
Motor Power	60 W 12V DC
Gate Size	6m leaf at 300Kg
Input Power	240V AC or low voltage, including solar
Duty Cycle	80%
Speed	300mm/sec Standard

GENERAL INFORMATION

12 V DC powerful motor suited for intensive applications. Oil filled gearbox.
 Simple controls with 'one push button' profile and set up. 300mm/sec with slow down in open and close positions, using magnetic limits for stop locations. **Includes battery back up.**



All automation applications require external photo electric cell protection/induction loop and appropriate warning signs and/or devices.

GDS Drive 500