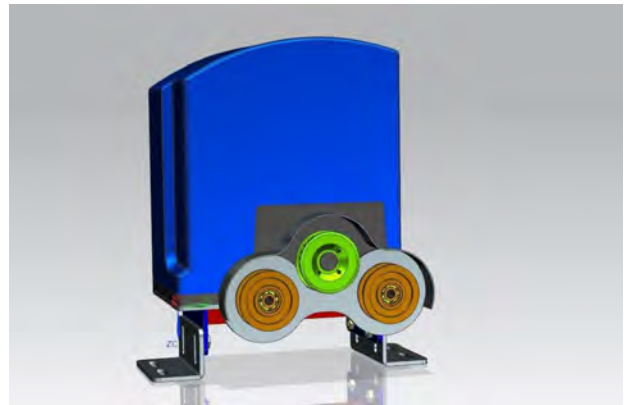


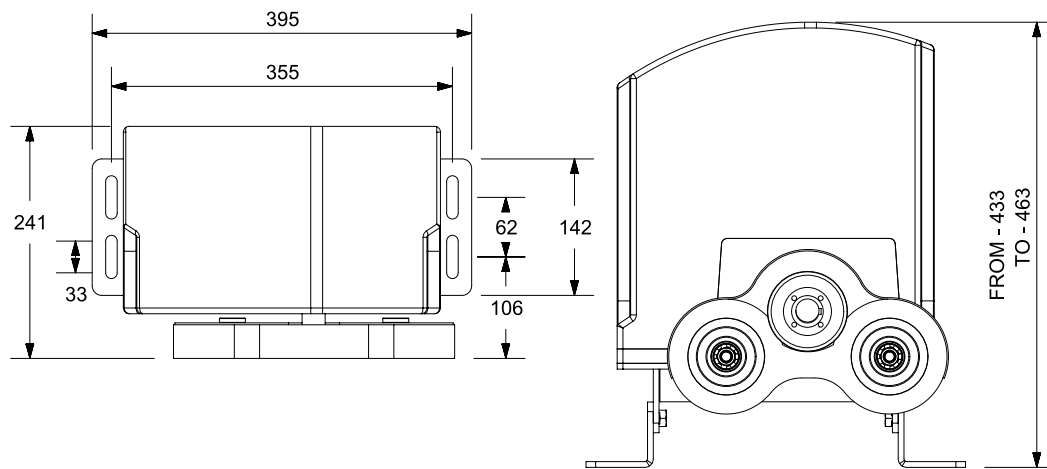


SPECIFICATIONS

Model	GDS Drive 1000 Belt
Motor Power	350 W 24V DC
Gate Size	10m leaf at 500Kg
Input Power	240V AC or low voltage, including solar
Duty Cycle	98%
Speed	400mm/sec Standard (24m/min)



GENERAL INFORMATION



24 V DC powerful motor suited for intensive applications. Oil filled gearbox. Simple controls with 'one push button' profile and set up. 400mm/sec with slow down in open and close positions, using magnetic limits for stop locations. **Includes battery back up.**

Belt Sold Separately

All automation applications require external photo electric cell protection/induction loop and appropriate warning signs and/or devices.

GDS Drive 1000 Belt

GDS - Your Automatic Choice